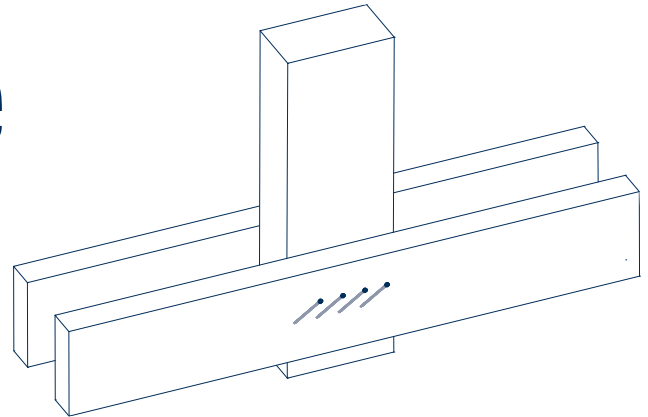


Dimensioning template

for transverse connection

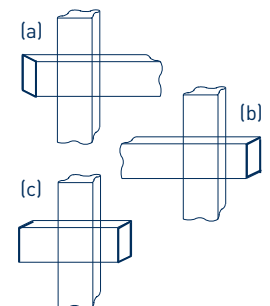


Executing company			
Contact person			
Postcode		Place	
Phone		Fax	
E-mail			
Building project			

Geometry side flaps:

Alignment:	<input type="checkbox"/> horizontal	<input type="checkbox"/> vertical	
Number:	<input type="checkbox"/> 1	<input type="checkbox"/> 2	
Material:	<input type="checkbox"/> Softwood	<input type="checkbox"/> Glulam	<input type="checkbox"/> Steel
Strength class:			
Wood type:	<input type="checkbox"/> spruce, pine, fir	<input type="checkbox"/> Douglasie	
	<input type="checkbox"/> other type of wood		
Width [mm]:			
Heigth [mm]:			

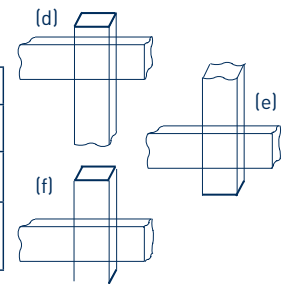
Edge:
<input type="checkbox"/> Left edge (a)
<input type="checkbox"/> Right edge (b)
<input type="checkbox"/> Left edge and right edge (c)



Geometry carrier:

Material:	<input type="checkbox"/> Softwood	<input type="checkbox"/> Glulam
Strength class:		
Wood type:	<input type="checkbox"/> spruce, pine, fir	<input type="checkbox"/> Douglasie
	<input type="checkbox"/> other type of wood	
Width [mm]:		
Heigth [mm]:		

Edge:
<input type="checkbox"/> Top edge (d)
<input type="checkbox"/> Bottom edge (e)
<input type="checkbox"/> Top edge and bottom edge (f)



Load:

Utilisation class:	<input type="checkbox"/> 1	<input type="checkbox"/> 2	
Load entry:	<input type="checkbox"/> Side flaps	<input type="checkbox"/> Carrier	
Load type:	<input type="checkbox"/> Design	<input type="checkbox"/> Characteristic	
Load duration:	<input type="checkbox"/> permanent	<input type="checkbox"/> long-term	<input type="checkbox"/> medium-term
	<input type="checkbox"/> short-term	<input type="checkbox"/> very short-term	

Tip: Our dimensioning software is available to download free of charge at www.sihga.com!

Load type Design:	x-Richtung _____ [kN]	Load type Characteristic:	Ständige Lasten:	Veränderliche Lasten:
	y-Richtung _____ [kN]		x-Richtung _____ [kN]	x-Richtung _____ [kN]
	z-Richtung _____ [kN]		y-Richtung _____ [kN]	y-Richtung _____ [kN]
			z-Richtung _____ [kN]	z-Richtung _____ [kN]

Accurate completion of the dimensioning template enables fast and reliable dimensioning.